



Instr. No. 2650-1481

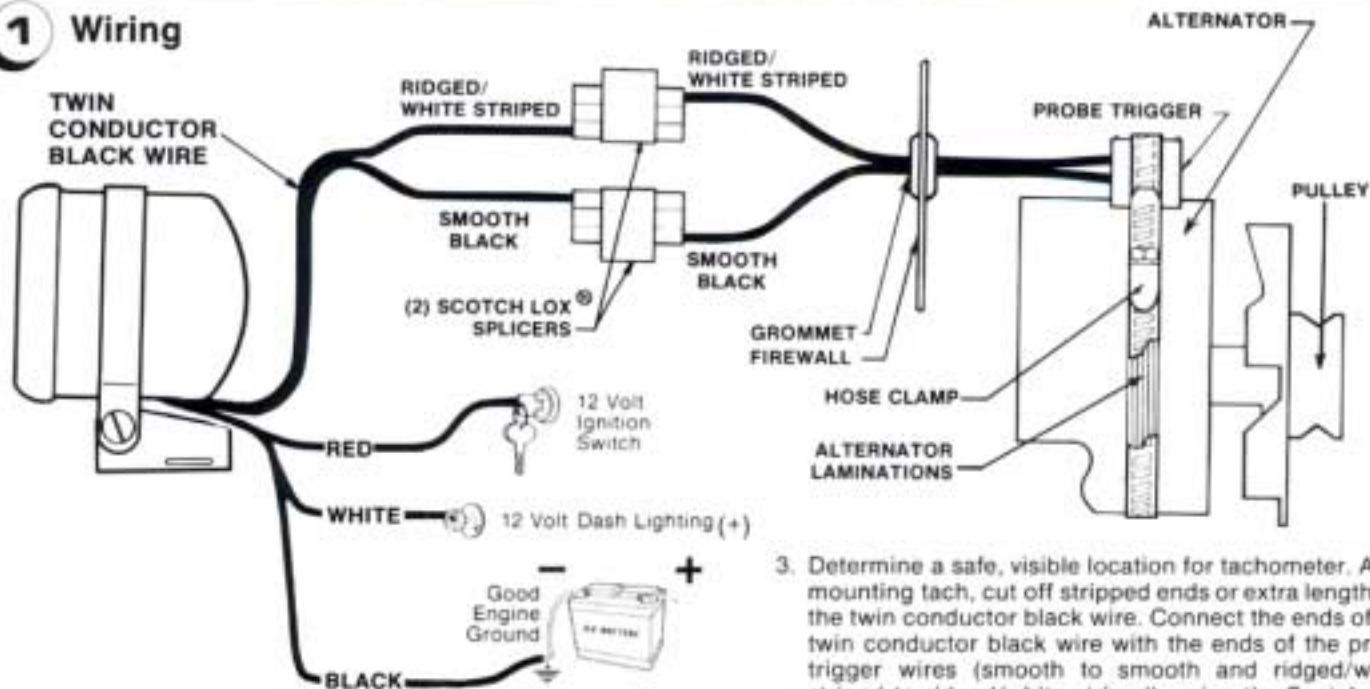
INSTALLATION INSTRUCTIONS

ALTERNATOR ACTUATED

DIESEL TACHOMETER

MODEL 2888

1 Wiring



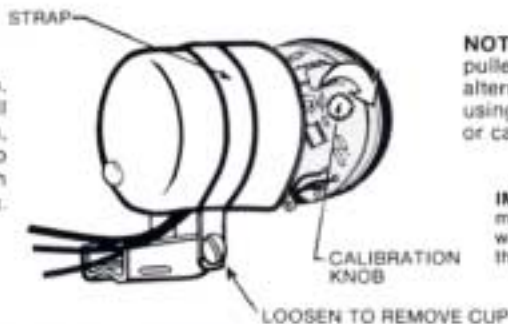
1. Mount probe trigger on alternator by centering trigger over alternator laminations, then strapping securely to alternator, using hose clamp provided.
2. After mounting probe trigger, route both black probe wires through firewall, using grommet provided. If possible, avoid running trigger wire alongside other wires.

3. Determine a safe, visible location for tachometer. After mounting tach, cut off stripped ends or extra lengths of the twin conductor black wire. Connect the ends of the twin conductor black wire with the ends of the probe trigger wires (smooth to smooth and ridged/white striped to ridged/white striped), using the Scotch Lox[®] splicers provided. Connection must be tight for tach to operate properly.
4. Connect the red wire to battery positive (+) accessory terminal on ignition switch or fuse box. Connect white wire to 12V dash lighting circuit. Connect the black wire to good engine ground. The meter should register with the engine running.

2 Tach Calibration

TO CALIBRATE: Turn screws to loosen strap. With a firm hold on cup and bezel, carefully pull tachometer out of cup. (NOTE: When pulling tach, be careful not to disconnect wires by pulling too far.) Turn calibration knob on inside back of tach clockwise as shown to achieve proper reading.

CALIBRATE TACH AT HIGHWAY CRUISE RPM AND NOT AT IDLE RPM. THIS WILL REDUCE ERROR IN CALIBRATION.



NOTE: This tachometer must be calibrated to the pulley drive ratio and the number of poles on the alternator of your vehicle. We suggest you calibrate using test equipment found at many service stations or car dealers.

IMPORTANT: This tachometer has a new, improved meter movement. The tach pointer may not rest at zero with engine off. This is normal. When engine is started the pointer will position on the correct rpm.

SERVICE

For service send your product to Auto Meter in a well packed shipping carton. Please include a note explaining what the problem is along with your phone number. Please specify when you need the product back. If you need it back immediately mark the outside of the box "RUSH REPAIR," and Auto Meter will return shipment within two days after we receive your product. (\$5.00 charge will be added to the cost of "RUSH REPAIR.") If you are sending product back for Warranty adjustment, you must include a copy (or original) of your sales receipt from the place of purchase.

12 MONTH LIMITED WARRANTY

Auto Meter Products, Inc. warrants to the consumer that all Auto Meter High Performance products will be free from defects in material and workmanship for a period of twelve (12) months from date of the original purchase. Products that fail within this 12 month warranty period will be repaired or replaced at Auto Meter's option to the consumer, when determined by Auto Meter Products, Inc. that the product failed due to defects in material or workmanship. This warranty is limited to the repair or replacement of parts in the Auto Meter instruments and the necessary labor done by Auto Meter to effect the repair or replacement of the Auto Meter instruments. In no event shall this warranty exceed the original purchase price of the Auto Meter instruments nor shall Auto Meter Products, Inc. be responsible for special, incidental or consequential damages or costs incurred due to the failure of this product. Warranty claims to Auto Meter must be transportation prepaid and accompanied with dated proof of purchase. This warranty applies only to the original purchaser of product and is non-transferable. All implied warranties shall be limited in duration to the said 12 month warranty period. Breaking the meter seal, improper use or installation, accident, water damage, abuse, unauthorized repairs or alterations voids this warranty. Auto Meter Products, Inc. disclaims any liability for consequential damages due to breach of any written or implied warranty on all products manufactured by Auto Meter.

FOR SERVICE SEND TO: AUTO METER PRODUCTS, INC. 413 W. Elm St., Sycamore, IL 60178 USA (815) 895-8141