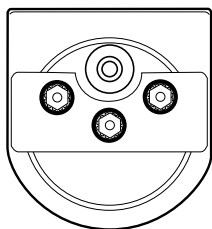


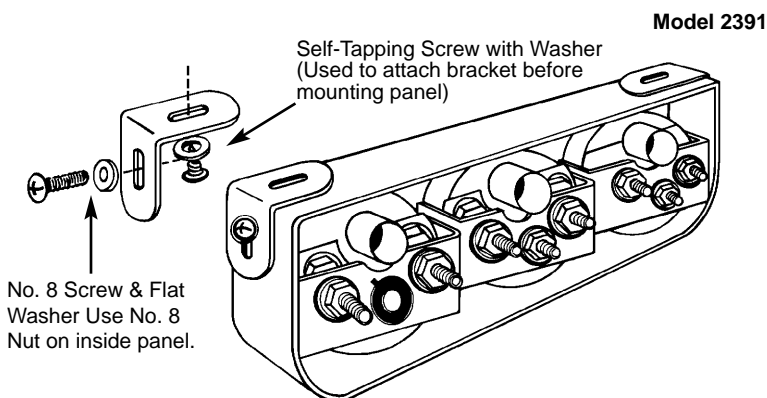


Instr. No. 2650-235D

**Congratulations! You have purchased a quality gauge that will help you monitor your vehicle's vital functions. 18-gage wire is required for installation and can be purchased separately at an auto parts store near you. Auto Meter wire kit no. 2214 is recommended.**



Models 2354, 2355, 2356



Model 2391

No. 8 Screw & Flat Washer Use No. 8 Nut on inside panel.

Self-Tapping Screw with Washer (Used to attach bracket before mounting panel)

## Preliminary Steps

1. Read instructions thoroughly. Please consult a qualified mechanic if you have not had training in the proper installation of instruments.
2. Determine ideal mounting location. Choose a location that will not obstruct visibility or impair driving. Consult your vehicle's repair manual to locate:
  - A) water temperature port
  - B) 12V ignition switch or fuse box
  - C) oil pressure port
3. Consult your vehicle's manual to determine the best route for tubing to follow. Choose a path free from hazard of moving parts or hot engine components.
4. Assemble tools and parts required for installation.
5. Disconnect negative (-) battery cable. Do not allow terminal to touch battery or any metal. (NOTE: Disconnecting battery ground may require you to re-program your radio station and clock after re-connection.)
6. Hold console in desired mounting location and use as a template to mark drill holes on underside of dash.
7. Drill holes with an 1/8" drill bit and mount bracket under dash using self-tapping screws and flat washers provided. Mount console to bracket by lining up side holes of bracket with side holes in console. Fit 8-32x1/2" screws and no. 8 flat washers provided through side holes in bracket and console. Screw into nut attached to inside of panel.

**CAUTION:** Some late model vehicles use electronic sensors in their pressure and temperature senders for engine control functions. Before removing the original senders, we recommend that you contact your automotive dealer to be sure no critical functions will be disrupted.

- With pressure gauges, it is beneficial to add a T-fitting to install your new gauge and to keep the warning light operational. This allows you to monitor the pressure and still have a warning light to indicate emergency conditions.

NOTE: For light bulb replacement order Auto gage no. 2388.

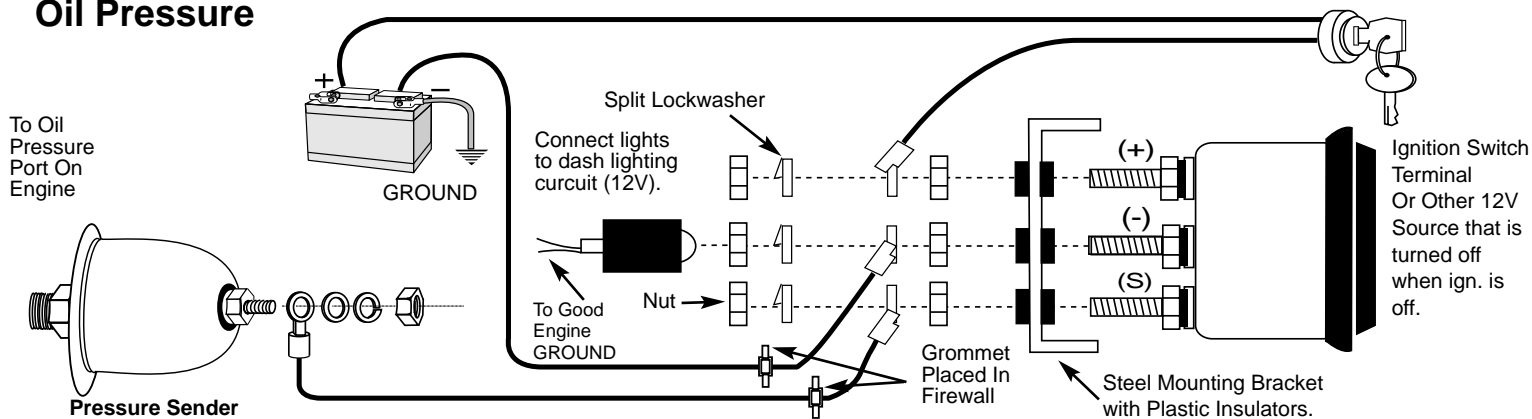
### Important Assembly Procedures To Follow

Tighten nuts and lock washer that secure the gauge mounting bracket. Be sure they are not so tight as to bend or distort mounting bracket.

Install additional wiring and hardware as shown in diagrams below. Now tighten the outer nut while holding the inner nut. This is the only correct procedure and must be followed to insure safe electrical connections. This applies to the gauge and both senders.

Make sure wires are not rubbing against metal or each other.

## Oil Pressure

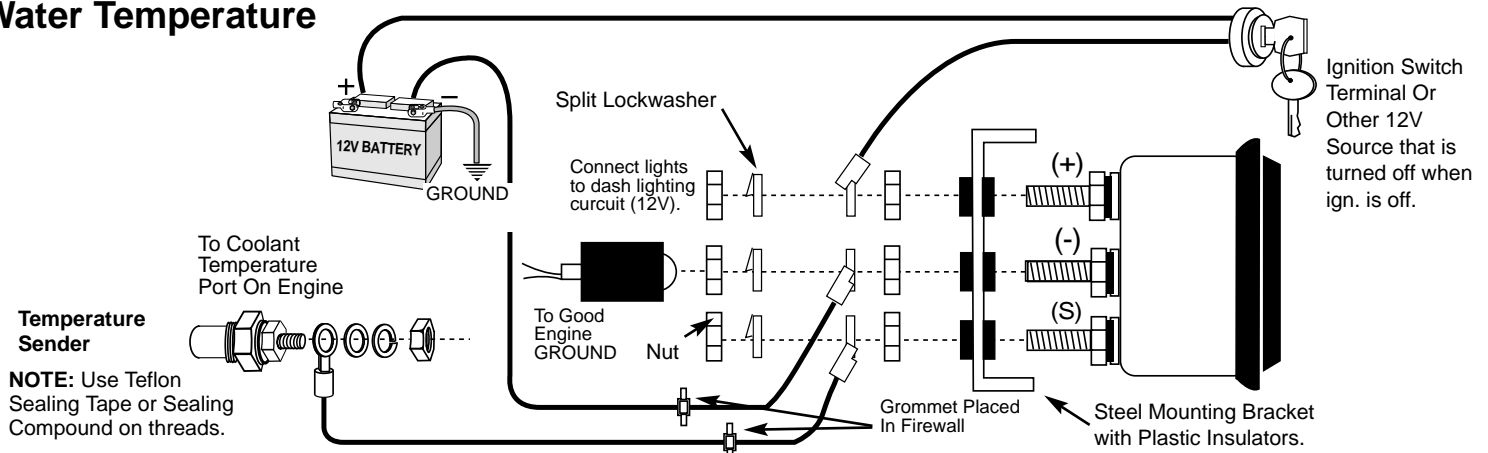


1. Drill a 3/8" dia. hole in firewall. Install rubber grommet provided in firewall to insulate wire where it passes through sheet metal.
2. Remove existing oil pressure sender. (For computerized vehicles see caution in Preliminary Steps.) Install new Pressure Sender using sealing compound on pipe threads.
3. Cut three lengths of 18-gage wire. Strip insulation back 1/4" on each end of wire and attach solder lug terminals to each end.
4. Connect one end of wire with solder lug terminal to sender (S) terminal post on back of gauge using split lockwasher and nut provided. Route wire through firewall. Connect opposite end of wire with solder lug terminal to pressure sender using split lockwasher and nut provided.

5. Connect one end of wire with solder lug terminal to negative (-) terminal post on back of gauge using split lockwasher and nut provided. Connect opposite end to good engine ground, such as body frame bolt.
6. Connect solder lug terminal and wire to positive (+) terminal post on back of gauge using split lockwasher and nut provided. Connect opposite end of wire to accessory terminal on fuse block with solder lug terminal to ignition switch.

**CAUTION:** Be careful not to touch ignition wire to negative (-) terminal on back of gauge or sender will be damaged. **See final procedures to complete installation.**

# Water Temperature



**NOTE:** Use Teflon Sealing Tape or Sealing Compound on threads.

1. Drill a 3/8" dia. hole in firewall. Install rubber grommet provided in firewall to insulate wire where it passes through sheet metal.
2. Drain antifreeze from **cooled** radiator into a container. *Never drain hot coolant!* Save antifreeze to refill radiator after installation. Remove existing water temperature sender for indicator light and install new sender. (For computerized vehicles see caution in Preliminary Steps.) If indicator light is still desired, a second port must be drilled and tapped in block.
3. Cut three lengths of 18-gage wire. Strip insulation back 1/4" on each end of wire and attach solder lug terminals to each end.
4. Connect one end of wire with solder lug terminal to negative (-) terminal post on back of gauge using split lockwasher and nut

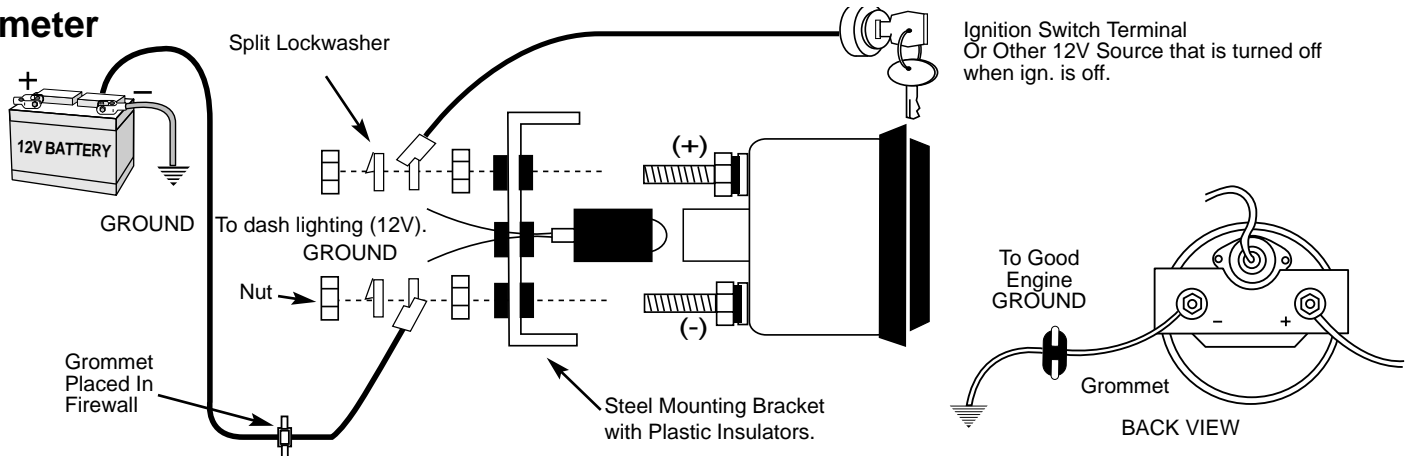
5. Connect one end of wire with solder lug terminal to positive (+) terminal post on back of gauge using split lockwasher and nut provided. Connect opposite end of wire with solder lug terminal to ignition switch or accessory terminal on fuse block.

**CAUTION:** Be careful not to touch ignition wire to negative (-) terminal on back of gauge or sender will be damaged.

**See final procedures to complete installation.**

**NOTE:** 18-gage wire is required for installation of this consle. Auto Meter wire kit no. 2214 is recommended and may be purchased separately at an auto parts store near you.

# Voltmeter



1. Drill a 3/8" dia. hole in firewall. Install rubber grommet provided in firewall to insulate wire where it passes through sheet metal.
2. Cut two lengths of 18-gage wire. Strip insulation back 1/4" on each end of wire and attach solder lug terminals to each end.
3. Connect one end of wire with solder lug terminal to negative (-) terminal position on back of gauge using split lockwasher and nut

provided. Connect opposite end of wire to good engine ground, such as body frame bolt.

4. Connect one end of wire with solder lug terminal to positive (+) terminal on back of gauge using split lockwasher and nut provided. Connect opposite end to 12V terminal on ignition switch or any 12V source. **See final procedures to complete installation.**

# Final Procedures

1. Insert light bulb and socket assembly into back of gauge. Connect red lighting wire to 12V power source in dash lighting circuit. Connect black wires to good engine ground, such as body frame bolt.
2. Reconnect negative (-) battery cable. Re-program your clock and radio if necessary.
3. Wrap a clean rag around fittings on back of oil pressure gauge and place a pan on floor under them to protect vehicle interior from potential leaking oil. Start engine and run for 30 seconds. Shut engine off and check rag for leaks. If none appear, start engine again and visually check all connections for leaks.

## AutoGage Service

For service send your gauge to Auto Meter in a well packed shipping carton. Please include a note explaining what the problem is, the year and model of your vehicle, engine size, etc., and your phone number. If you are sending a gauge back for Warranty adjustment, you must include a copy (or original) of your sales receipt from the place of purchase.

### 12 MONTH LIMITED WARRANTY

The manufacturer warrants to the consumer that this product will be free from defects in materials and workmanship for a period of twelve (12) months from the date of the original purchase. Products that fail within this 12 month warranty period will be repaired or replaced at the manufacturer's option to the consumer, when determined by the manufacturer that the product failed because of defects in material or workmanship. This warranty is limited to the repair or replacement of parts in the instrument and the necessary labor done by the manufacturer to affect the repair or replacement of the instrument. In no event shall this warranty exceed the original purchase price of the instrument, nor shall the manufacturer be responsible for special, incidental or consequential damages or costs incurred due to failure of this product. Warranty claims to the manufacturer must be transportation prepaid and accompanied with dated proof of purchase. This warranty applies only to the original purchaser of product and is non-transferable. All implied warranties shall be limited in duration to the said 12 month warranty period. Breaking the meter seal, improper use or installation, accident, water damage, abuse, unauthorized repairs or alterations voids this warranty. The manufacturer disclaims any liability for consequential damages due to breach of any written or implied warranty on all products made by the manufacturer.

FOR SERVICE SEND TO: AUTO METER PRODUCTS, INC. 413 W. Elm St., Sycamore, IL 60178 (815) 895-8141